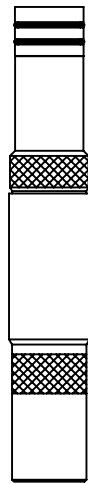
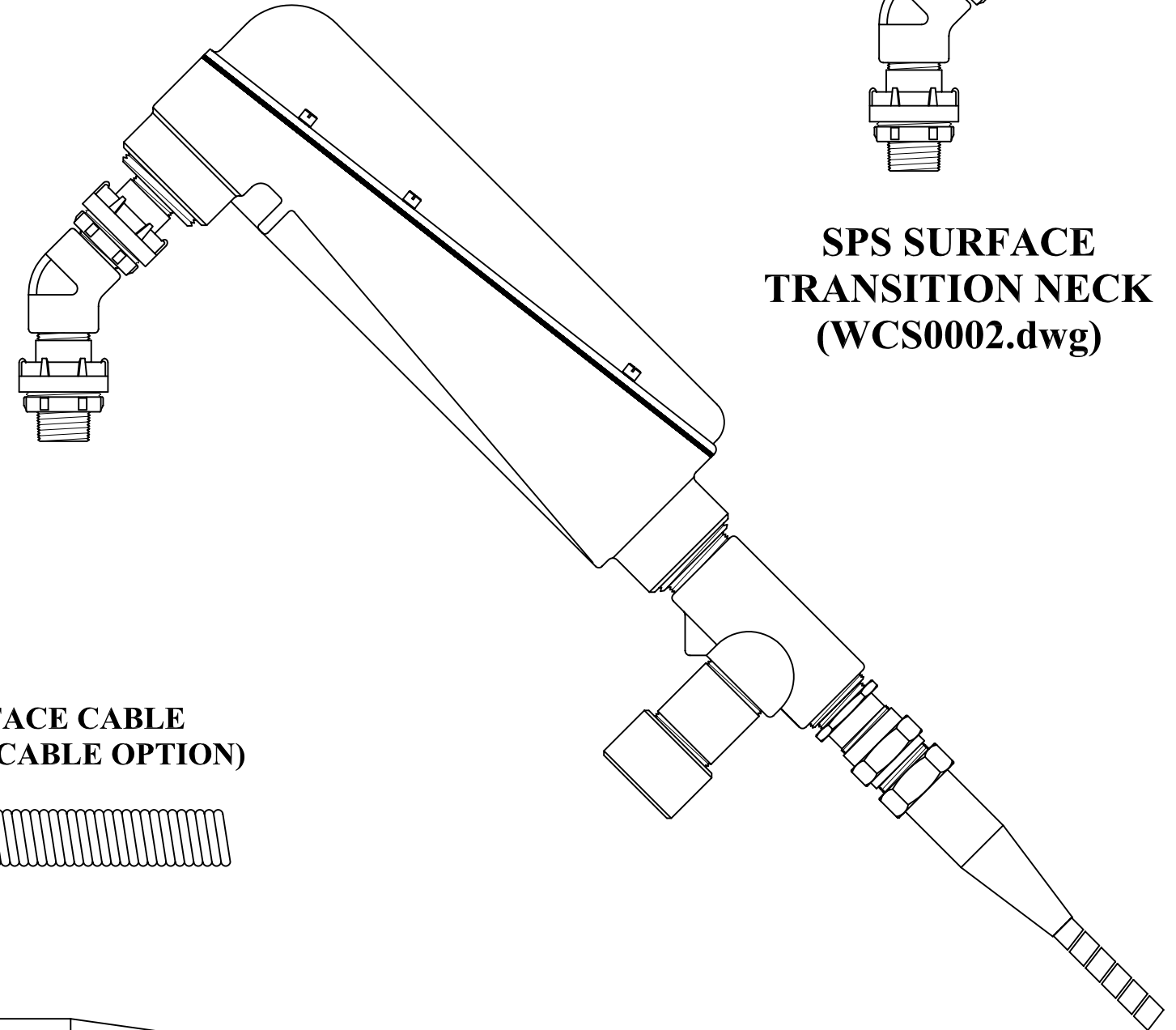
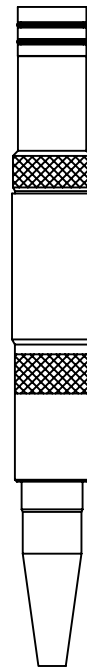


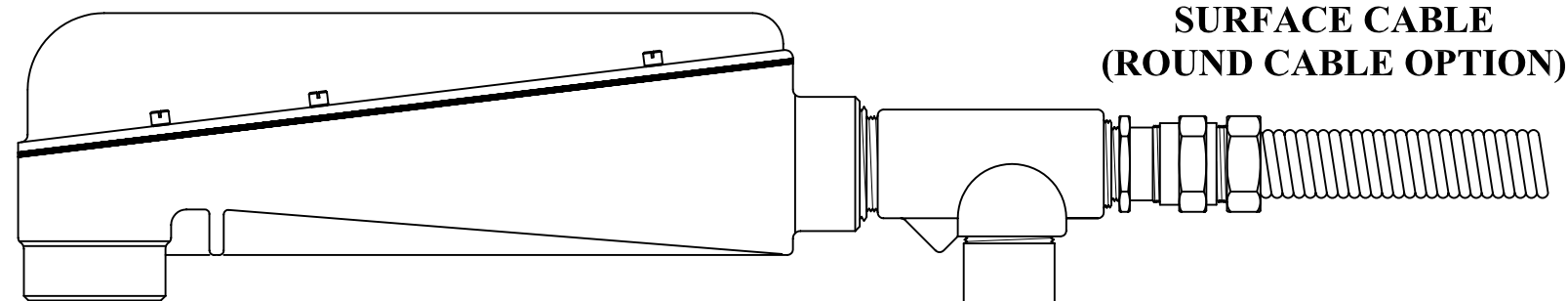
**SPS-1-6000-1
SLIMLINE WELLHEAD
PENETRATOR
(FOR ROUND CABLE)**



**SPS-1-6000-1F
SLIMLINE WELLHEAD
PENETRATOR
(FOR FLAT CABLE)**

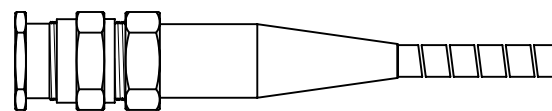


**SPS SURFACE
TRANSITION NECK
(WCS0002.dwg)**



**SPS SURFACE
CONDUIT ASSEMBLY
(SPS-3-SC-ASY)
(WCS0001.dwg)**

**SURFACE CABLE
(ROUND CABLE OPTION)**



**SURFACE CABLE
(FLAT CABLE OPTION)**

DRAWN:
11/30/2006
CHECKED:
APPROVED:
THE INFORMATION CONTAINED ON THIS DRAWING IS COPYRIGHT AND IS THE SOLE PROPERTY OF PEI, PINNACLE EQUIPMENT INTERNATIONAL. THIS INFORMATION SHALL NOT BE RELEASED, DISCLOSED OR DUPLICATED FOR PROCUREMENT, MANUFACTURING OR REPRODUCTION IN PART OR WHOLE WITHOUT WRITTEN PERMISSION.

PEI PINNACLE EQUIPMENT INTERNATIONAL
HOUSTON, TEXAS 77070

TITLE: SPS SLIMLINE PENETRATOR AND SURFACE CONDUIT SYSTEM

SHEET: 1 of 1	SIZE: B	SCALE: NONE	DWG NO.:	REV.
			WLS0007	01